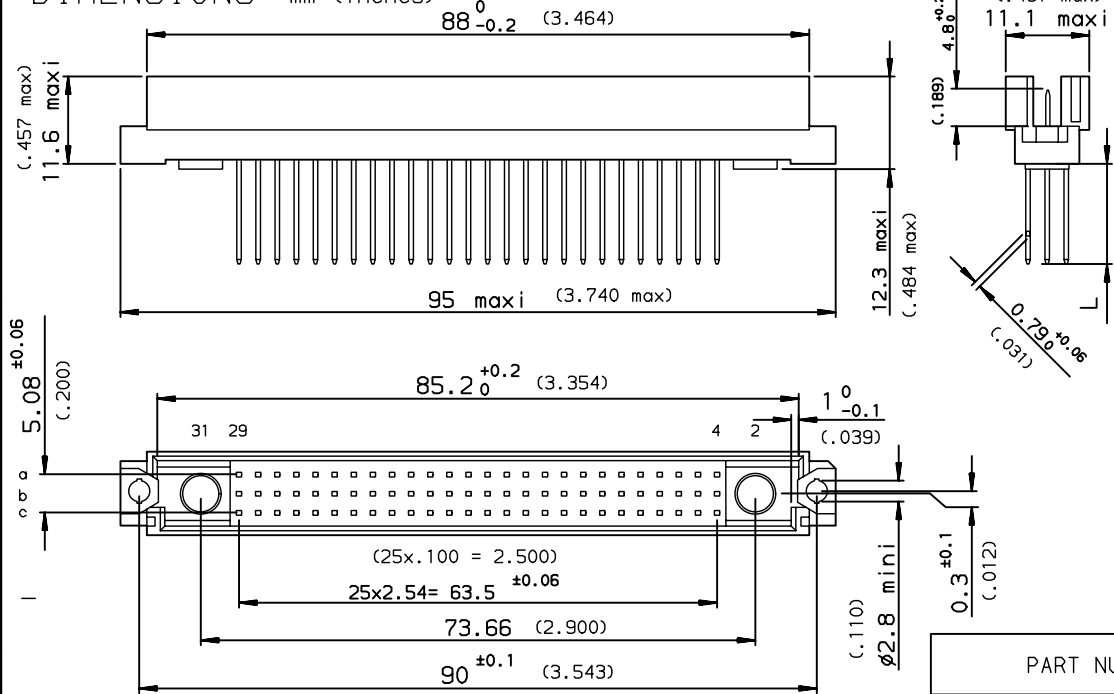
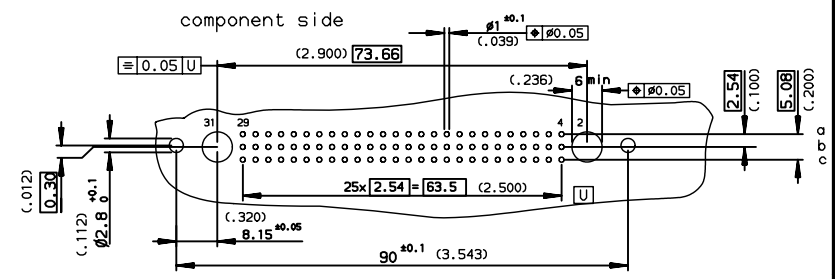


DIMENSIONS mm (inches)



PCB DRILLING



PART NUMBER	8609	<input type="checkbox"/>	<input type="checkbox"/>	A8	<input type="checkbox"/>	7	<input type="checkbox"/>	5	<input type="checkbox"/>
PIN OUT									
rows a-b-c				3		78			
rows a-c				4		52			
NUMBER OF CONTACTS									
TERMINATION									
L = 13.3 ±0.25 (.523)				WW				15	
L = 17.95 ±0.25 (.706)				WW				25	
PERFORMANCE CLASS									
DIN 41612 class 3									4
DIN 41612 class 2									5
DIN 41612 class 1									6
TERMINATION TYPE									000E1
TIN LEAD									E1LF
LEAD FREE									

GENERAL CHARACTERISTIC and ROHS INFORMATION  
SEE DRAWING C-8609-0000B

European Views

rev	ecn no	dr	date
B	-	HLE	1996/02/21
C	LS07-0130	HLE	2007/05/21
D	LS07-0211	HLE	2007/08/08
-	-	-	-
-	-	-	-
-	-	-	-

www.fciconnect.com		surface ISO 1302 <input checked="" type="checkbox"/>	tolerance std ISO 406 ISO 1101	projection 	mm
TOLERANCES UNLESS OTHERWISE SPECIFIED					
Dr	LEGALIC	1996/02/21	ANGULAR	0.X	±0.1
Eng	LEGALIC	1996/02/21	LINEAR	0.XX	±0.1
Chr	LEGARE	1996/02/21	0.XX' ±2'	0.XXX	±0.1
Appr	LEGARE	1996/02/21	Product family	DIN	Spec ref -
		title STRAIGHT MALE WITH SPECIAL CONTACTS WIRE WRAP		dwg no C-8609-0321	Rev. D
catalog no		SEE TABLE	CUSTOMER	sheet 1 of 1	

Copyright FCJ.